



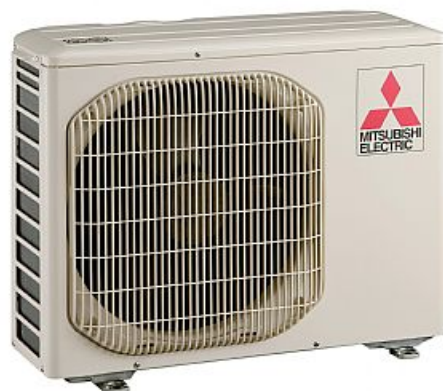
MSZ-HC25VA

Classic Inverter Heat Pump

R410A Wall Mounted System

Mitsubishi Electric's new range of high specification, flat panel wall mounted models make use of inverter technology, whilst providing extremely good value for money, costing approximately 20% less than the MSZ-G equivalent. These units have extremely quiet sound levels, whilst also delivering economical air conditioning, with improved COP/EER figures.

- **Catechin Filter is optional**



Pictures not to scale

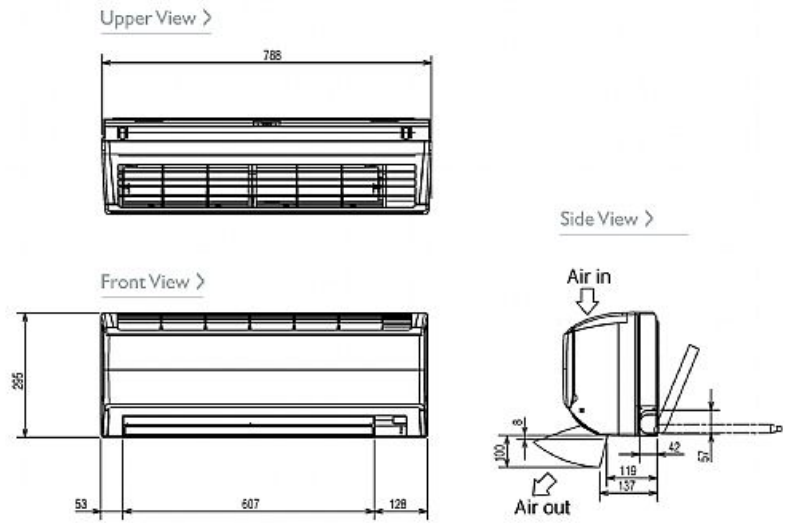
Product Details

| MSZ-HC25VA Indoor Unit | |
|--|----------------------------------|
| Capacity (kW): | |
| Heating (Nominal) (Low - High) | 3.20 (0.90 - 4.40) |
| Cooling (Nominal) (Low - High) | 2.50 (0.90 - 3.00) |
| Heating (UK) (Low - High) | 2.65 (0.75 - 3.65) |
| Cooling (UK) (Low - High) | 2.50 (0.90 - 3.00) |
| SHF R410A (Nominal) | 0.79 |
| COP / EER (Nominal) | 3.64 / 3.25 |
| Energy Label Heating / Cooling | A / A |
| Width - mm | 788 |
| Depth - mm | 225 |
| Height - mm | 295 |
| Weight - kg | 9 |
| Airflow (m ³ /min) (Heating / Cooling) - Lo-Mi-Hi-SupHi | 5.1-6.5-7.8-9.1 / 5.3-7.8-7-10.5 |
| Noise (dBA) (Heating / Cooling) - Lo-Mi-Hi-SupHi | 26-32-38-43 / 26-32-38-43 |
| Pipe Size Gas mm (in) | 9.52 (3/8) |
| Pipe Size Liquid mm (in) | 6.35 (1/4) |
| Electrical Supply | Fed by Outdoor Unit |
| Phase | Single |
| Fuse Rating (BS88) - HRC (A) | 6 |
| Interconnecting Cable No. Cores | 4 |

| MUZ-HC25VA Outdoor Unit | |
|--|----------------|
| Width - mm | 684 |
| Depth - mm | 255 |
| Height - mm | 540 |
| Weight - kg | 25 |
| Noise (dBA) (Heating / Cooling) | 47 / 46 |
| Electrical Supply | 220-240v, 50Hz |
| Phase | Single |
| Fuse Rating (BS88) - HRC (A) | 16 |
| System Power Input (kW) - Heating (Nominal) | 0.88 |
| System Power Input (kW) - Cooling (Nominal) | 0.77 |
| System Power Input (kW) - Heating (UK) | 0.801 |
| System Power Input (kW) - Cooling (UK) | 0.616 |
| Starting Current (A) | 4.2 |
| System Running Current (A) - Heating / Cooling | 4.2 / 3.7 |
| Mains Cable No. Cores | 3 |
| Max Pipe Length (m) | 10 |
| Max Height Difference (m) | 5 |
| Charge (kg) - 7m | 0.73 |

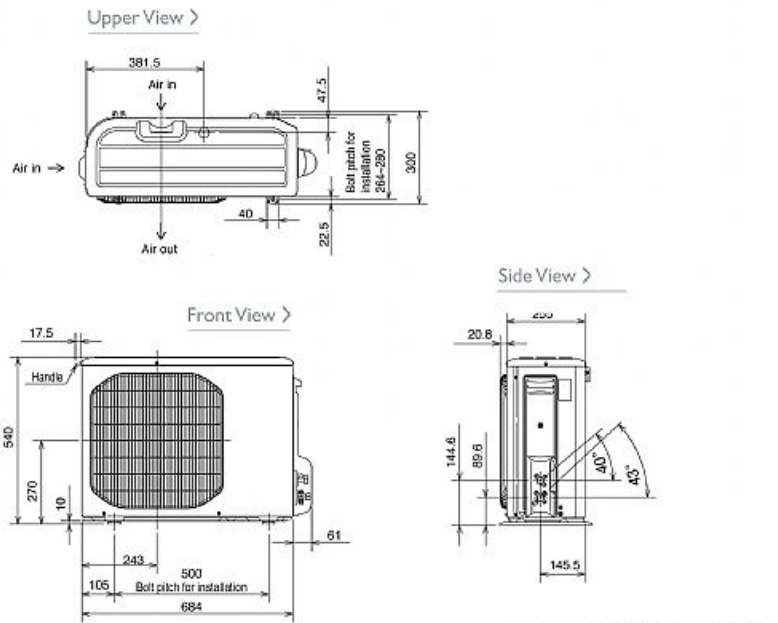
Dimensions

MSZ-HC25VA



MSZ-HC25/35VA(B)

MUZ-HC25VA



MUZ-HC25/35VA(B) / MUZ-GC25VA



Telephone: 01707 282880

Email: air.conditioning@meuk.mee.com Website: <http://www.mitsubishielectric.co.uk/aircon>

THORNE AIR CONDITIONING
35 MEREVIEW
YAXLEY
PE7 3HS
Tel: 01733 554435
Fax: 01733 244544



Mitsubishi Electric reserves the right to make any variation in technical specification to the equipment described, or to withdraw or replace products without prior notification or public announcement.