



SRF35ZS-W / SRC35ZS-W2

3.5 (0.9 (Min.) - 4.1 (Max.))

Indoor Unit : SRF35ZS-W

Outdoor Unit : SRC35ZS-W2

Specifications

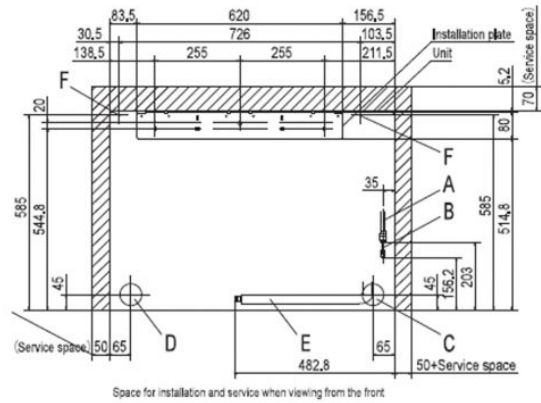
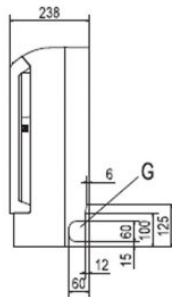
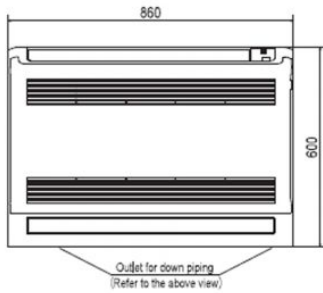
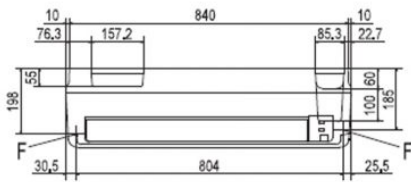
R32

Indoor unit			SRF35ZS-W	
Outdoor unit			SRC35ZS-W2	
Power source			1 Phase, 220 - 240V, 50Hz / 220V, 60Hz	
Nominal cooling capacity (Min~Max)		kW	3.5 (0.9 (Min.) - 4.1 (Max.))	
Nominal heating capacity (Min~Max)		kW	4.5 (0.8 (Min.) - 5.2 (Max.))	
Power consumption	Cooling/Heating	kW	0.82 (0.18 - 1.33) / 1.12 (0.19 - 1.53)	
EER/COP	Cooling/Heating		4.27 / 4.02	
Max. running current		A	9	
Sound power level	Indoor	Cooling/Heating	51 / 52	
	Outdoor	Cooling/Heating	63 / 64	
Sound pressure level	Indoor	Cooling (Hi/Me/Lo/Ulo)	dB(A)	40 / 35 / 33 / 29
		Heating (Hi/Me/Lo/Ulo)		41 / 36 / 35 / 33
	Outdoor	Cooling/Heating		50 / 51
Air flow	Indoor	Cooling (Hi/Me/Lo/Ulo)	m3/min	9.2 / 7.8 / 7.3 / 6.4
		Heating (Hi/Me/Lo/Ulo)		10.7 / 8.3 / 8.1 / 7.4
	Outdoor	Cooling/Heating		31.5 / 31.5
Exterior Dimensions	Indoor	Height x Width x Depth	mm	600 x 860 x 238
	Outdoor			540 x 780(+62) x 290
Net weight	Indoor / Outdoor		kg	19.0 / 34.5
Refrigerant	Type/GWP			R32/675
Refrigerant	Charge		kg/TCO2Eq	0.78/0.527
Refrigerant piping size	Liquid/Gas		ø mm	6.35(1/4") / 9.52 (3/8")
Refrigerant line (one way) length			m	Max 20 [15]
Vertical height differences		Outdoor is higher/lower	m	Max 10 / Max.10
Outdoor operating temperature range	Cooling		°C	-15~46
	Heating			-15 ~ 24
Clean filter			Allergen Clean Filter x 1 Photocatalytic Washable Deodorising Filter x 1	
Energy Class (Cooling/Heating)			A+ +/A+ +	
SEER			8.10	
SCOP (Average climate)			4.70	

- The data is measured under the following conditions(ISO-T1, H1). Cooling: Indoor temp. of 27°CDB, 19°CWB, and outdoor temp. of 35°CDB. Heating: Indoor temp. of 20°CDB, and outdoor temp. of 7°CDB, 6°CWB.
- Sound level indicates the value in an anechoic chamber. During operation these values are somewhat higher due to ambient conditions.
- 'tonne(s) of CO2 equivalent' means a quantity of greenhouse gases- expressed as the product of the weight of the greenhouse gases in metric tonnes and of their global warming potential.
- *SEER/SCOP are based on EN14825:2016 and Commission regulation (EU) No.2016/2281

Schematics

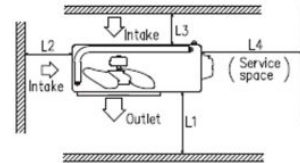
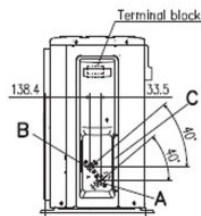
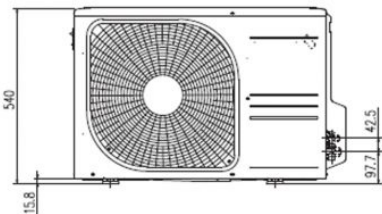
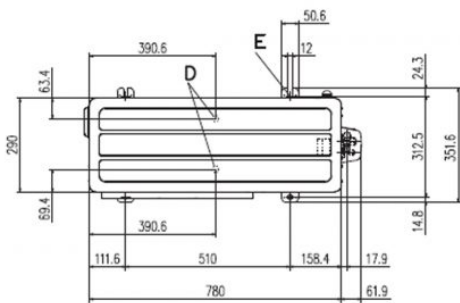
SRF25ZS-W SRF35ZS-W SRF50ZSX-W SRF25ZMX-S SRF35ZMX-S SRF50ZMX-S



Symbol	Content
A	Gas piping Model 25.35 - $\phi 3.52(3/8")$ (Flare)
B	Liquid piping Model 50 - $\phi 12.7(1/2")$ (Flare)
C	Hole on wall for right rear piping ($\phi 65$)
D	Hole on wall for left rear piping ($\phi 65$)
E	Drain hose VP16
F	Screw point fasten the indoor unit $\phi 5$
G	Outlet for piping (on both side)



SRC20ZS-W,-S SRC25ZS-W2,-S SRC35ZS-W2,-S



Symbol	Content
A	Service valve connection (gas side) $\phi 9.52(3/8")$ (Flare)
B	Service valve connection (liquid side) $\phi 6.35(1/4")$ (Flare)
C	Pipe/cable draw-out hole
D	Drain discharge hole $\phi 20 \times 2$ places
E	Anchor bolt hole M10 $\times 4$ places

Examples of installation Dimensions	Minimum installation space			
	I	D	DI	IV
L1	Open	280	280	180
L2	100	75	Open	Open
L3	100	80	80	80
L4	250	Open	250	Open