



# SRK35ZS-W / SRC35ZS-W1

3.5(0.9~4.0)

Indoor Unit : SRK35ZS-W

Outdoor Unit : SRC35ZS-W1

## Specifications

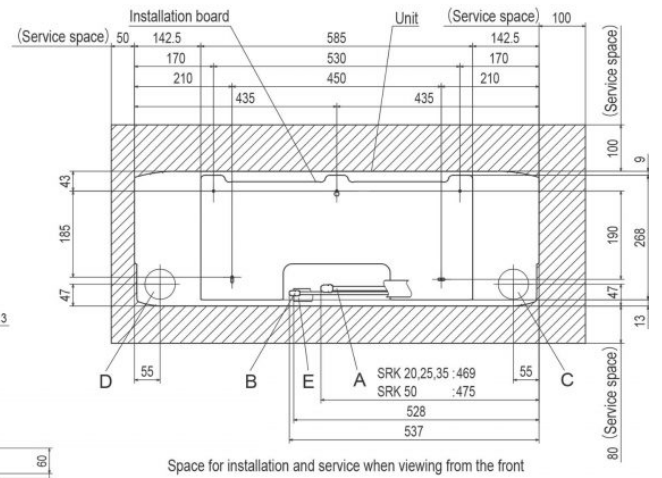
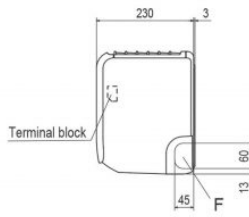
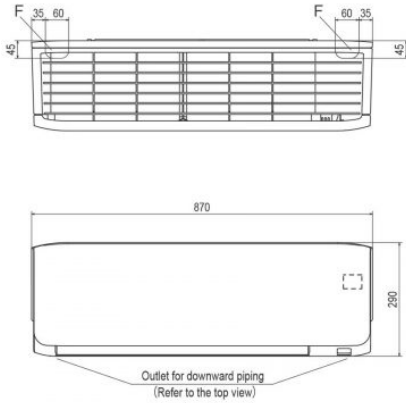


Indoor unit			SRK35ZS-W
Outdoor unit			SRC35ZS-W1
Power source			1Phase, 220 - 240, 50Hz
Nominal cooling capacity (Min~Max)		kW	3.5(0.9~4.0)
Nominal heating capacity (Min~Max)		kW	4.0(0.9~5.0)
Power consumption	Cooling/Heating	kW	0.89 / 0.94
EER/COP	Cooling/Heating		3.93 / 4.26
Max. running current		A	9
Sound power level	Indoor	Cooling/Heating	54 / 56
	Outdoor	Cooling/Heating	61 / 61
Sound pressure level	Indoor	Cooling (Hi/Me/Lo/Ulo)	40 / 30 / 26 / 19
		Heating (Hi/Me/Lo/Ulo)	41 / 36 / 25 / 19
	Outdoor	Cooling/Heating	50 / 48
Air flow	Indoor	Cooling (Hi/Me/Lo/Ulo)	11.3 / 8.7 / 7.0 / 5.0
		Heating (Hi/Me/Lo/Ulo)	12.3 / 11.0 / 7.0 / 5.6
	Outdoor	Cooling/Heating	31.5 / 27.8
Exterior Dimensions	Indoor	Height x Width x Depth	290 x 870 x 230
	Outdoor		540 x 780(+62) x 290
Net weight	Indoor / Outdoor		kg 9.5 / 34.5
Refrigerant	Type/GWP		R32 / 675
Refrigerant	Charge	kg/TCO2Eq	0.78 / 0.527
Refrigerant piping size	Liquid/Gas	ø mm	6.35(1/4") / 9.52(3/8")
Refrigerant line (one way) length		m	Max. 20
Vertical height differences	Outdoor is higher/lower	m	Max. 10 / Max. 10
Outdoor operating temperature range	Cooling	°C	-15~46
	Heating		-15~24
Clean filter			Allergen Clear Filter x 1, Photocatalytic Washable Deodorizing Filter x 1
Energy Class (Cooling/Heating)			A+ / A++
SEER			8.40
SCOP (Average climate)			4.70
Pdesign (cooling/heating(@-10°C))		kW	3.50/3.00
Annual Electricity Consumption (cooling/heating)		kWh/a	146/895
Designated Heating Season			Average

• The data is measured under the following conditions(ISO-T1, H1). Cooling: Indoor temp. of 27°CDB, 19°CWB, and outdoor temp. of 35°CDB. Heating: Indoor temp. of 20°CDB, and outdoor temp. of 7°CDB, 6°CWB.  
 • Sound level indicates the value in an anechoic chamber. During operation these values are somewhat higher due to ambient conditions.  
 • 'tonne(s) of CO2 equivalent' means a quantity of greenhouse gases- expressed as the product of the weight of the greenhouse gases in metric tonnes and of their global warming potential.  
 \*SEER/SCOP are based on EN14825:2016 and Commission regulation (EU) No.2016/2281

**Schematics**

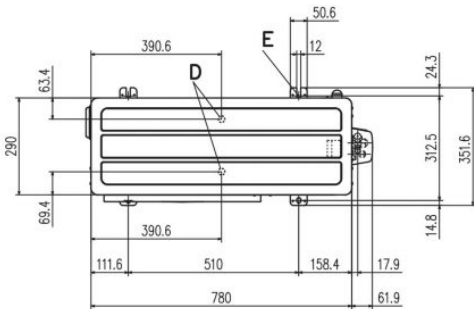
**SRK20ZS-W,-WB,-WT SRK25ZS-W,-WB,-WT**  
**SRK35ZS-W,-WB,-WT SRK50ZS-W,-WB,-WT**  
**SRK20ZS-S,-SB,-ST SRK25ZS-S,-SB,-ST**  
**SRK35ZS-S,-SB,-ST SRK50ZS-S,-SB,-ST**



Space for installation and service when viewing from the front

Symbol	Content	
A	Gas piping	SRK20, 25, 35 $\phi$ 9.52 (3/8") (Flare) SRK50 $\phi$ 12.7 (1/2") (Flare)
B	Liquid piping	$\phi$ 6.35 (1/4") (Flare)
C	Hole on wall for right rear piping	( $\phi$ 65)
D	Hole on wall for left rear piping	( $\phi$ 65)
E	Drain hose	VP16
F	Outlet for piping (on both side)	

**SRC20ZS-W SRC25ZS-W SRC35ZS-W**  
**SRC20ZS-S SRC25ZS-S SRC35ZS-S**



Symbol	Content	
A	Service valve connection (gas side)	$\phi$ 9.52 (3/8") (Flare)
B	Service valve connection (liquid side)	$\phi$ 6.35 (1/4") (Flare)
C	Pipe/cable draw-out hole	
D	Drain discharge hole	$\phi$ 20x2places
E	Anchor bolt hole	M10x4places

Examples of Installation Dimensions	Minimum installation space			
	I	II	III	IV
L1	Open	280	280	180
L2	100	75	Open	Open
L3	100	80	80	80
L4	250	Open	250	Open

